

Normas de Referência

Construção

NBR 14788

Testes

API 598

Conexões

ROSCA BSP ISO 228

ROSCA NPT - ANSI/ASME B1.20.1

Materiais

Corpo e Tampas

Latão C 37700

Esfera

ASTM A 351 - CF8

ASTM A 351 - CF8M

ASTM B16 - C360

Vedações

PTFE

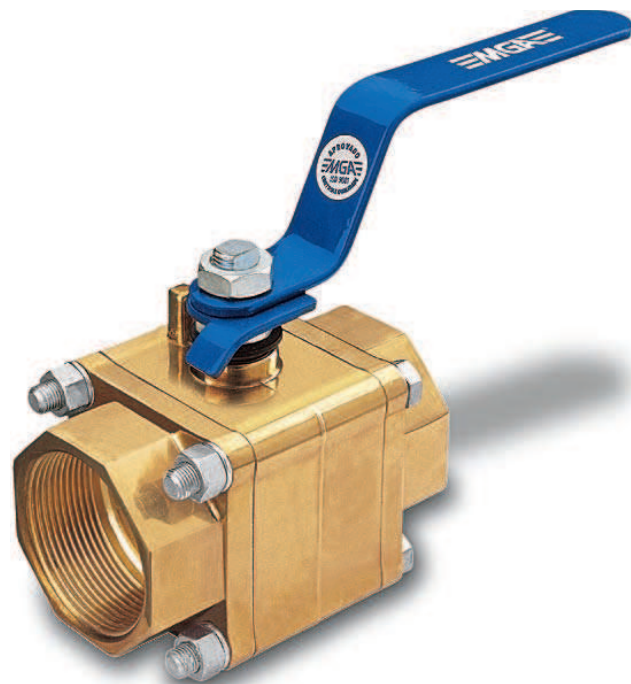
COMP L

Haste

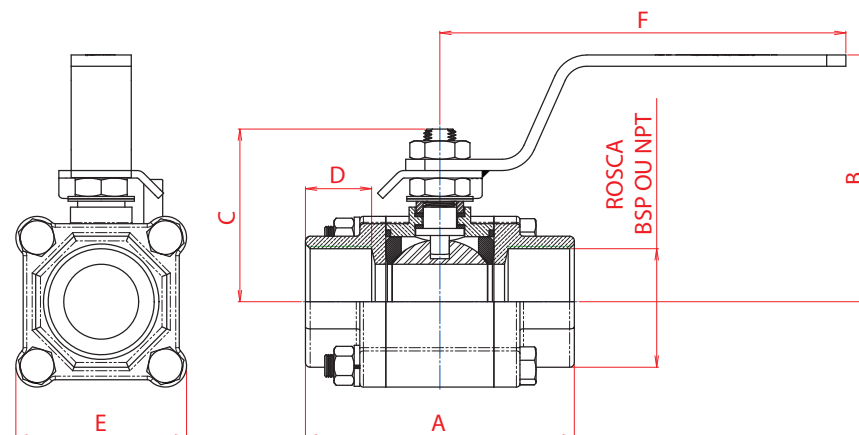
ASTM A 276 - 304

ASTM A 276 - 316

SAE 1020



Desenho Técnico



VÁLVULA DE ESFERA TRIPARTIDA PASSAGEM REDUZIDA (PR)										
BITOLA		PASS.	A	B	C	D	E	F	PESO kg	Coeficiente de Fluxo Kv (m³/h)
POL.	DN									
1/2"	15	11,1	69,0	46,0	39,0	16,0	41,2	125,0	0,525	5,0
3/4"	20	14,0	75,0	48,0	41,0	17,0	44,8	125,0	0,660	9,8
1"	25	20,4	89,0	77,5	51,0	21,0	57,0	156,0	1,200	18,7
1.1/4"	32	25,4	105,8	82,0	60,0	24,0	66,0	156,0	1,920	42,0
1.1/2"	40	31,7	113,7	104,0	73,0	26,0	72,2	170,0	2,460	72,0
2"	50	38,0	116,0	110,0	77,0	26,0	79,8	170,0	3,340	107,0
2.1/2"	65	50,8	131,8	121,0	86,0	28,0	99,0	254,0	5,366	185,0

VÁLVULA DE ESFERA TRIPARTIDA PASSAGEM PLENA (PP)										
BITOLA		PASS.	A	B	C	D	E	F	PESO kg	Coeficiente de Fluxo Kv (m³/h)
POL.	DN									
1/4"	8	11,1	69,0	46,0	39,0	18,0	41,2	125,0	0,570	5,0
3/8"	10	11,1	69,0	46,0	39,0	18,0	41,2	125,0	0,550	5,0
1/2"	15	14,0	75,0	48,0	41,0	17,0	44,8	125,0	0,710	14,6
3/4"	20	20,4	89,0	77,5	51,0	21,0	57,0	156,0	1,340	27,8
1"	25	25,4	105,8	82,0	60,0	24,0	66,0	156,0	2,140	56,5
1.1/4"	32	31,7	113,7	104,0	73,0	26,0	72,2	170,0	2,640	104,0
1.1/2"	40	38,0	116,0	110,0	77,0	26,0	79,8	170,0	3,890	161,0
2"	50	50,8	131,8	121,0	86,0	28,0	99,0	254,0	6,100	278,0

A vazão apresentada em Kv (m³/h) corresponde a um diferencial de pressão (Δp) de 1 bar utilizando água como fluido de teste.

Especificações Técnicas

Válvula de bloqueio de fluxo ideal para uso em linhas de vapor e fluidos inflamáveis.

Construção tripartida (um corpo e duas tampas), facilitando a manutenção sem a necessidade de desconectar as extremidades da linha.

Haste à prova de expulsão.

Maior segurança quando utilizada em fluidos inflamáveis devido a sua propriedade de antipropagação de centelha.

De fácil aplicação para trava de cadeado.